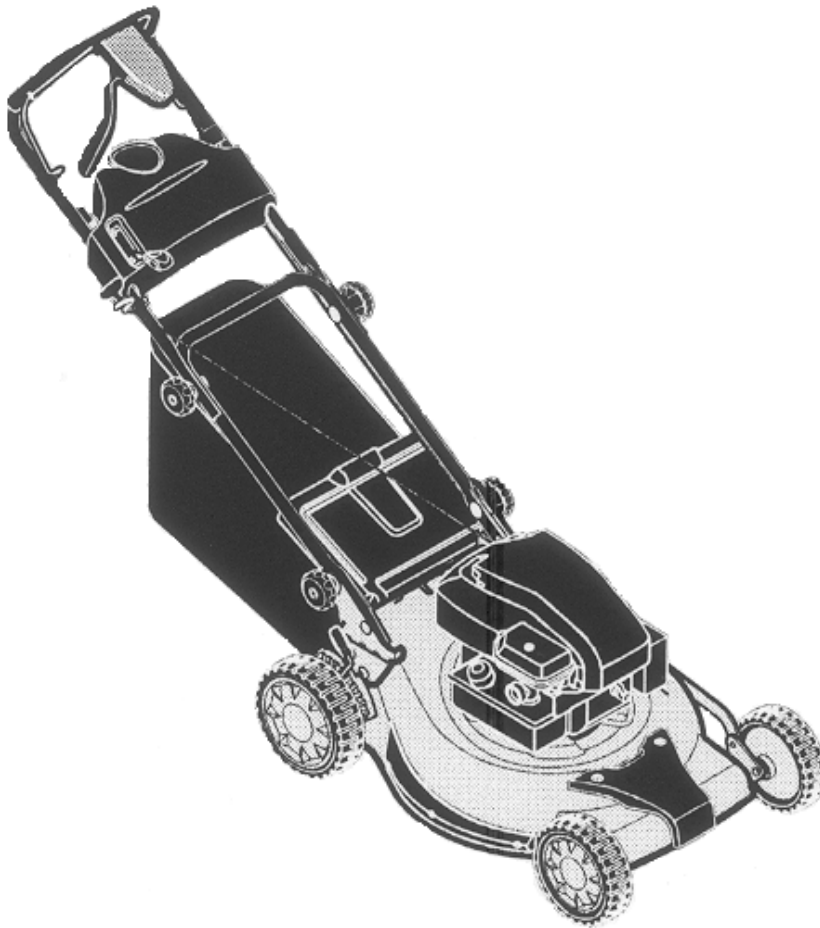


Parts Manual for
SNAPPER®

**19" EUROPEAN PUSH
WALK BEHIND MOWER**

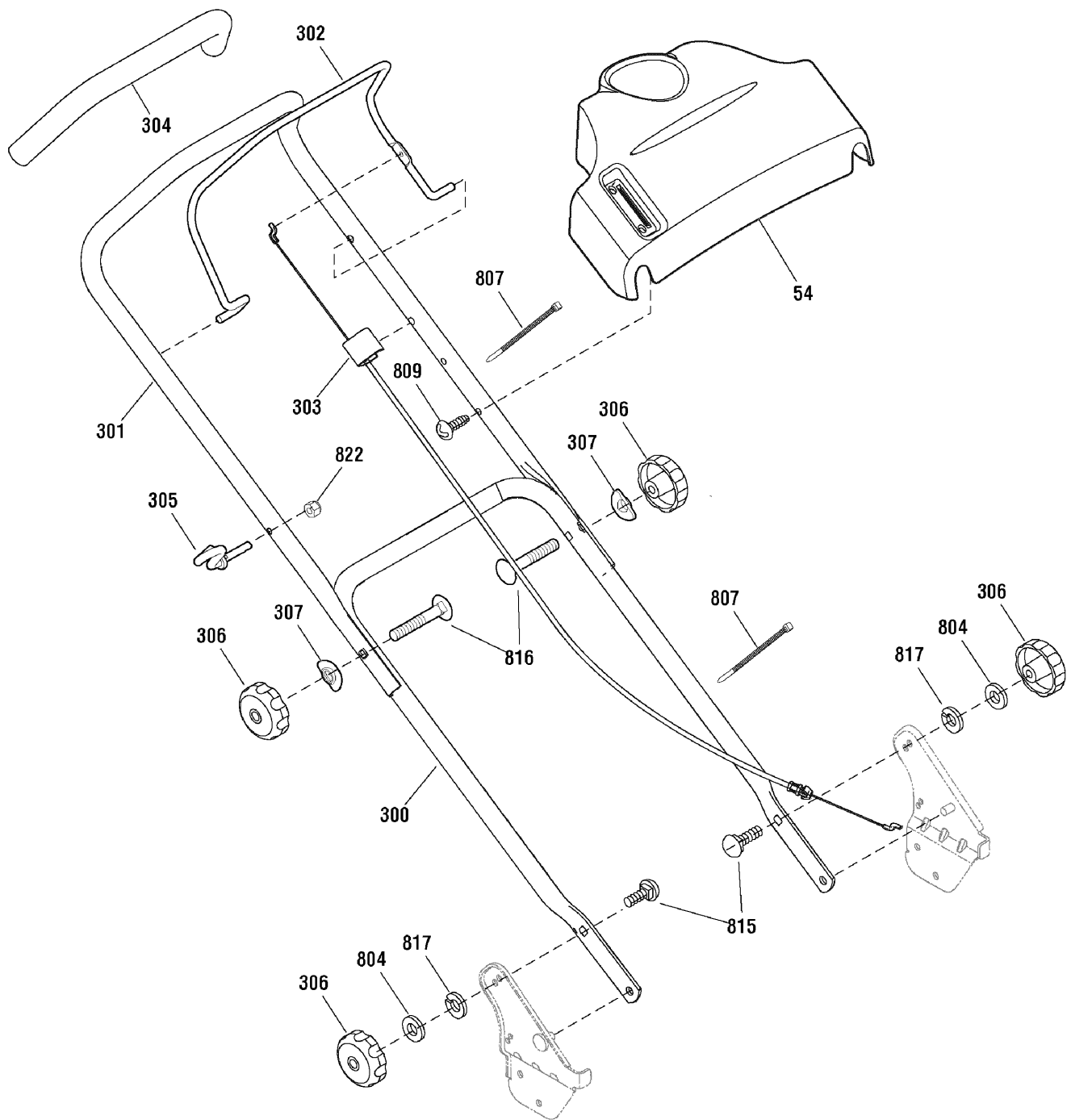
<i>Model No.</i>	<i>Description</i>
881035	ERDP19550



Briggs & Stratton Yard Power Products Group
535 Macon Road
McDonough, GA, 30253 U.S.A.
800-935-2967

Manual No.	881137
Revision: A	8/3/2009

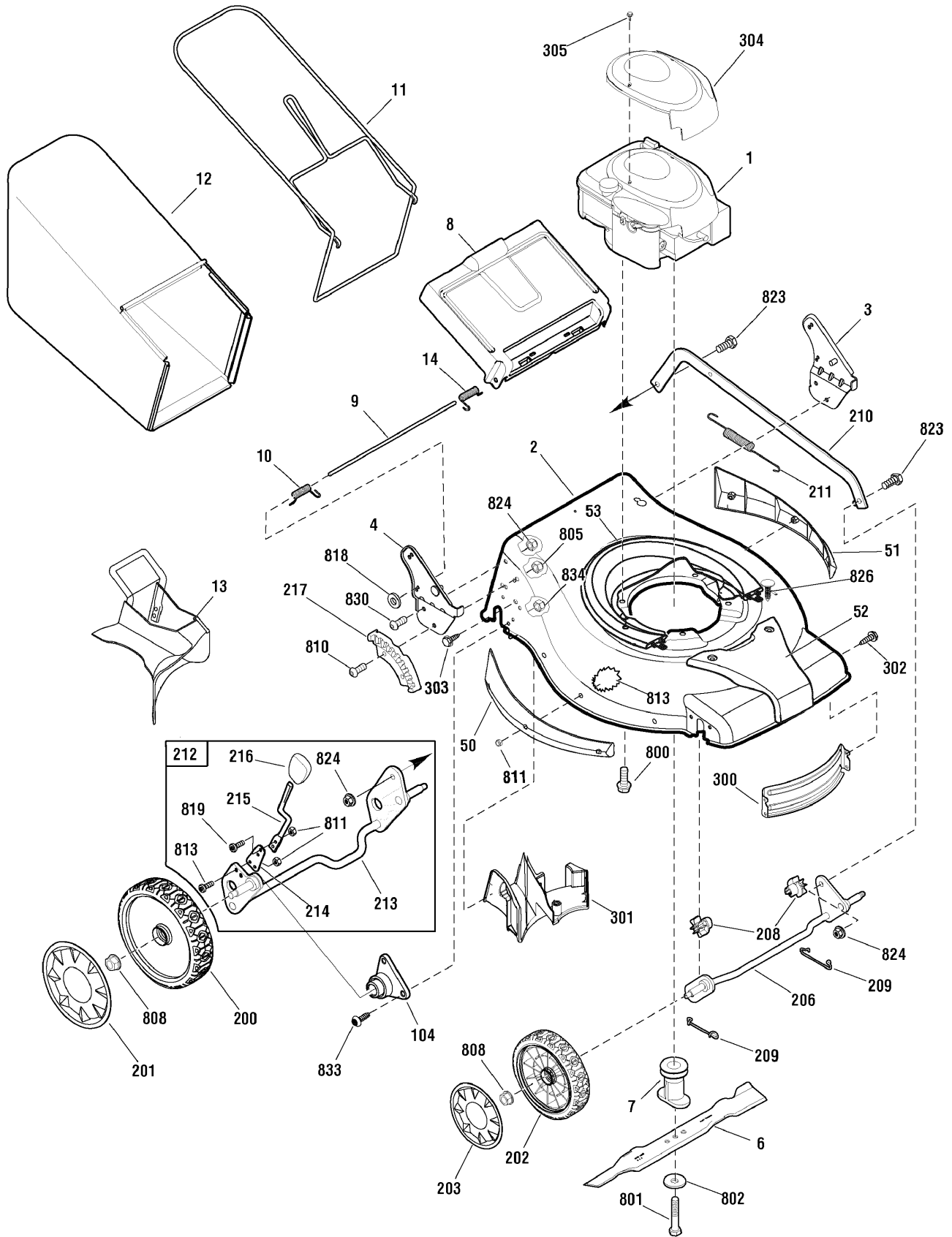
PAGE	GROUP
4	Handle Assembly
6	Deck & Engine Group



Handle Assembly

Item	Part No	Qty	Description
54	880635	1	CONTROL PANEL
300	880571	1	HANDLE, Lower
301	880673	1	HANDLE, Upper
302	880476Z	1	LEVER, Engine Stop
303	880279	1	CABLE, Engine Stop
304	880457	1	TUBING, Foam
305	724994	1	GUIDE, Rope
306	721800	1	KNOB, Adjuster
307	880615	1	WASHER, Formed
804	880607	1	WASHER, 5/8
807	880029	1	CABLE TIE
809	722856	1	SCREW, Self Tap, #10-16 x 1/2
815	880576	1	BOLT, Carriage, 5/16-18 x 1-1/8
816	720055	1	BOLT, Carriage, 5/16-18 x 2
817	22129GP	1	Washer, Lock
822	722393	1	NUT, Hex, 1/4-20

Footnotes:

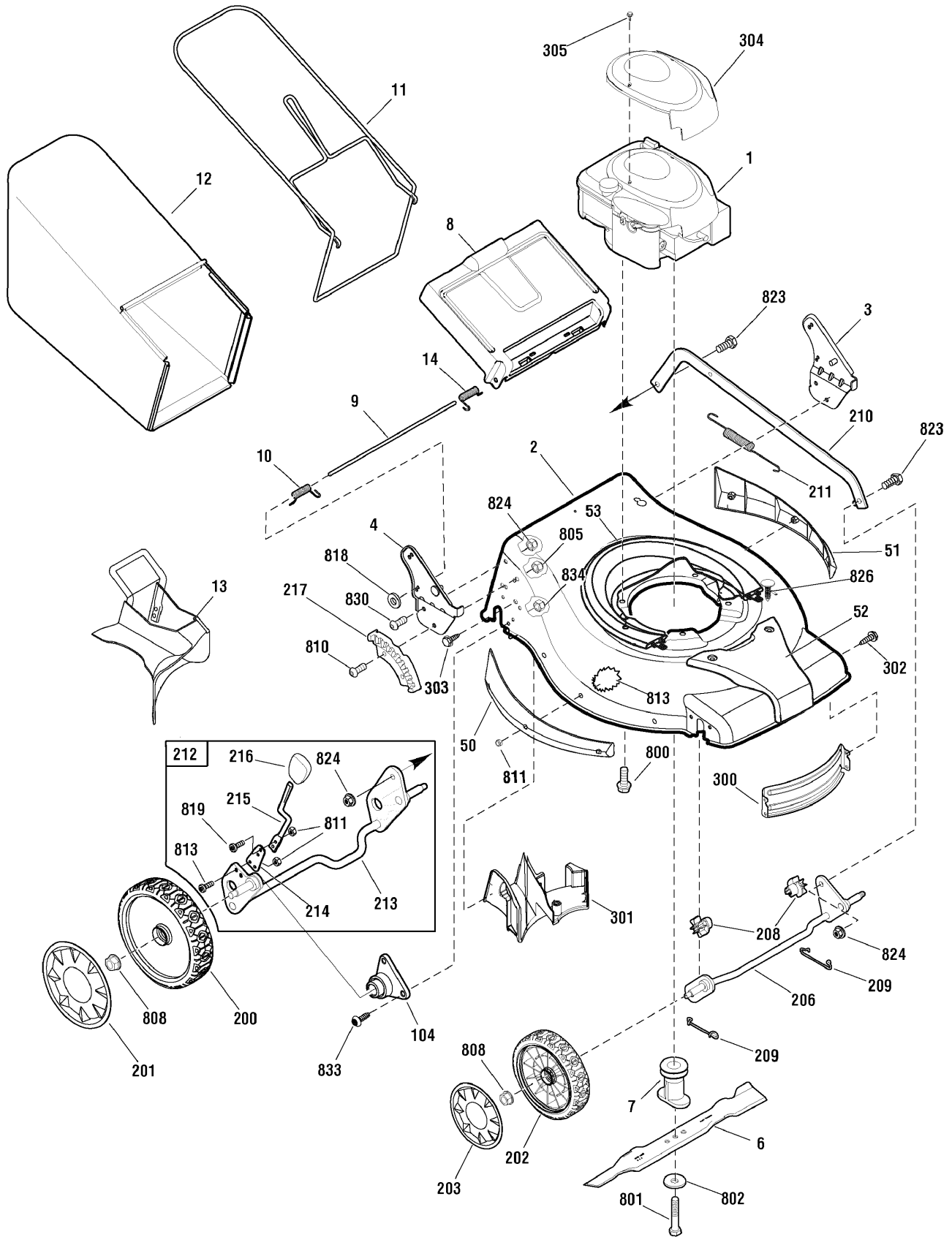


Deck & Engine Group

Item	Part No	Qty	Description
1	10T802-0161-B1	1	* ENGINE, B&S 550 Series EU
2	881117D	1	MOWER HOUSING
3	880951A	1	BRACKET ASSEMBLY, Left Handle
4	880950A	1	BRACKET ASSEMBLY, Right Handle
6	880638	1	BLADE, 16 in
7	880009	1	BLADE ADAPTER ASSEMBLY
8	880671	1	DOOR, Rear
9	880214	1	ROD, Rear Door
10	880942	1	SPRING, Torsion Rear Door, Right
11	880963Z	1	FRAME ASSEMBLY
12	880965	1	BAG ASSEMBLY
13	880909	1	MULCH PLUG
14	880943	1	SPRING, Torsion Rear Door, Left
50	881106	1	SIDE GUARD, Right
51	881109	1	SIDE GUARD, Left
52	880667	1	HOUSING COVER, Front
53	881047	1	HOUSING COVER, Rear
104	880786	1	SLEEVE ASSEMBLY, Rear Axle
200	880709	1	WHEEL, Rear
201	880657	1	HUBCAP, Rear
202	880718	1	WHEEL, Front
203	880656	1	HUBCAP, Front
206	880053	1	CROSSBAR ASSEMBLY, Front
208	880050	1	BUSHING, Front Crossbar
209	880057	1	SPRING, Clip Crossbar
210	880791D	1	LINK, Single Lever
211	880052	1	SPRING, Extension
212	880828	1	CROSSBAR ASSEMBLY, Rear
213	880929	1	REAR CROSSBAR
214	880642	1	SPRING, Adjuster
215	880646	1	LEVER, Height Adjustment
216	880325	1	KNOB, Adjuster
217	880960	1	BRACKET, Height Adjuster
300	880784	1	BAFFLE, Front
301	880785	1	BAFFLE, Rear
302	880664	5	SCREW, 1/4-20 X 1/2
303	880804	5	SCREW, 1/4-15 X 5/8

Footnotes:

NOTE: * Purchase engine parts from engine manufacturer dealer.



Deck & Engine Group

Item	Part No	Qty	Description
304	795171	1	SHROUD, With Label
305	95225	1	SCREW, Machine Hex Washer Head
800	720044	1	SCREW, Hex Head, 3/8-16 x 1
801	880208	1	BOLT, Blade, 3/8-24 x 2
802	721890	1	WASHER, Belleville
805	880020	2	NUT, Nylock, M8 x 1-1/4
808	720142	1	NUT, Flange, 3/8-16
810	880323	1	BOLT, Hex Key Head
811	880428	1	NUT, Nylock
813	880339	1	SCREW, Torx Head, M5 x .8 x 14mm
818	880614	1	NUT, Speed
819	880577	1	SCREW, Torx Head, M5 x .8 x 12.5mm
823	800576	1	BOLT, Shoulder, 5/16-18 x 1
824	720145	1	Nut, Flange, 5/16-18
826	880456	1	SCREW, 1/4-20 x 7/8
830	727291	1	SCREW, 5/16-18 x 3/4
833	880845	1	SCREW, Torx, 1/4-20 x 5/8
900	880910	1	SPRING CLIP, Rear Door
1000	700276	1	DECAL KIT (not shown)

Footnotes:

NOTE: * Purchase engine parts from engine manufacturer dealer.

Parts Manual for

SNAPPER®

19" EUROPEAN PUSH WALK BEHIND MOWER

IT IS THE POLICY OF BRIGGS & STRATTON CORP TO IMPROVE ITS PRODUCTS WHENEVER IT IS POSSIBLE AND PRACTICAL TO DO SO. WE RESERVE THE RIGHT TO MAKE CHANGES OR ADD IMPROVEMENTS AT ANY TIME WITHOUT INCURRING ANY OBLIGATION TO MAKE SUCH CHANGES ON PRODUCTS

Briggs & Stratton Yard Power Products Group

535 Macon Road
McDonough, GA, 30253 U.S.A.
800-935-2967

www.snapper.com

Copyright © 2009 Briggs & Stratton Corporation
Milwaukee, WI USA. All Rights Reserved

**Manual No. 881137
Revision: A 8/3/2009**